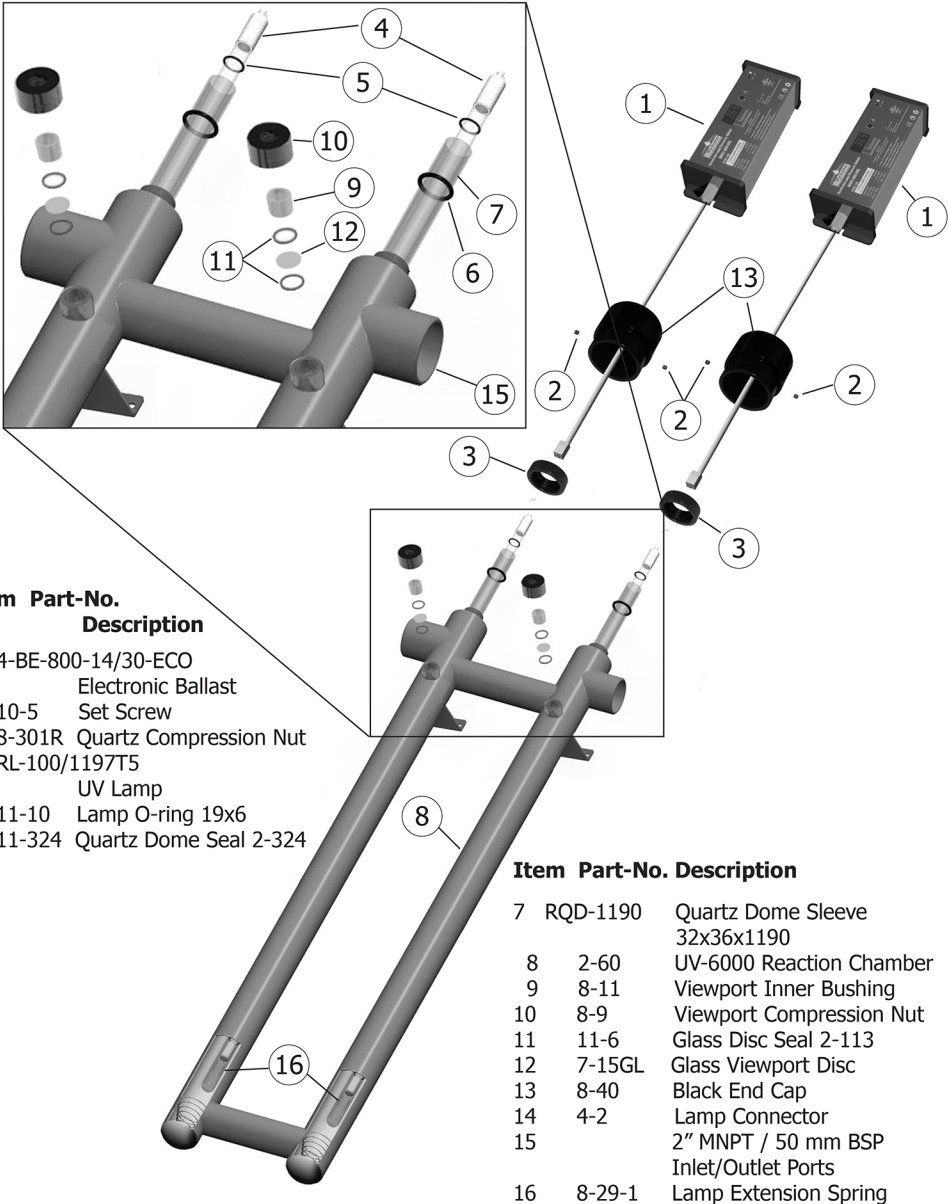


UV Purification Systems

UV-6000

Technical Info

Exploded Diagram & Parts List



Item Part-No.

Description

- 1 4-BE-800-14/30-ECO
Electronic Ballast
- 2 10-5 Set Screw
- 3 8-301R Quartz Compression Nut
- 4 RL-100/1197T5
UV Lamp
- 5 11-10 Lamp O-ring 19x6
- 6 11-324 Quartz Dome Seal 2-324

Item Part-No. Description

- 7 RQD-1190 Quartz Dome Sleeve
32x36x1190
- 8 2-60 UV-6000 Reaction Chamber
- 9 8-11 Viewport Inner Bushing
- 10 8-9 Viewport Compression Nut
- 11 11-6 Glass Disc Seal 2-113
- 12 7-15GL Glass Viewport Disc
- 13 8-40 Black End Cap
- 14 4-2 Lamp Connector
- 15 2" MNPT / 50 mm BSP
Inlet/Outlet Ports
- 16 8-29-1 Lamp Extension Spring