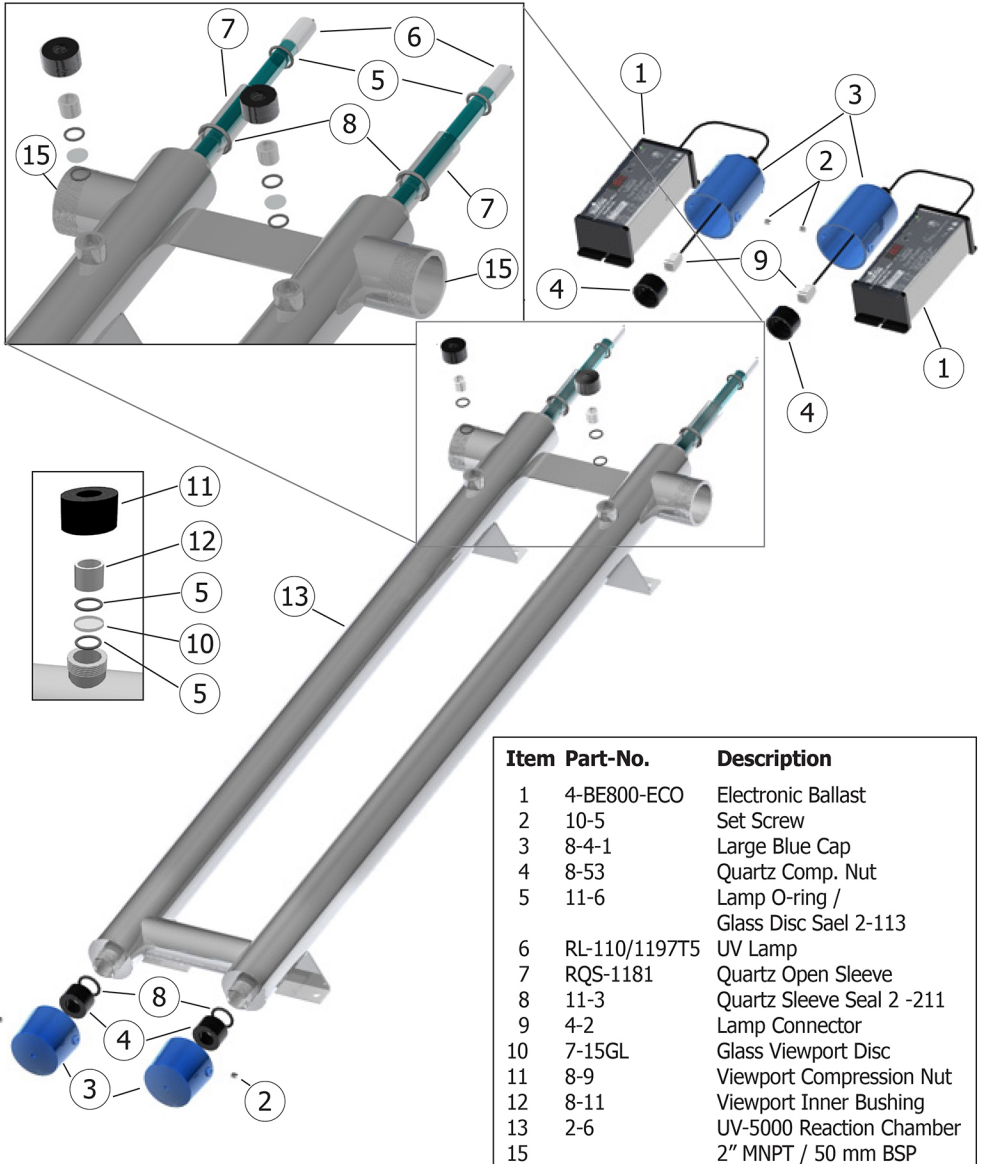


UV Purification Systems

UV-5000

Technical Info

Exploded Diagram & Parts List



Item	Part-No.	Description
1	4-BE800-ECO	Electronic Ballast
2	10-5	Set Screw
3	8-4-1	Large Blue Cap
4	8-53	Quartz Comp. Nut
5	11-6	Lamp O-ring / Glass Disc Sael 2-113
6	RL-110/1197T5	UV Lamp
7	RQS-1181	Quartz Open Sleeve
8	11-3	Quartz Sleeve Seal 2 -211
9	4-2	Lamp Connector
10	7-15GL	Glass Viewport Disc
11	8-9	Viewport Compression Nut
12	8-11	Viewport Inner Bushing
13	2-6	UV-5000 Reaction Chamber
15		2" MNPT / 50 mm BSP Inlet/Outlet Ports