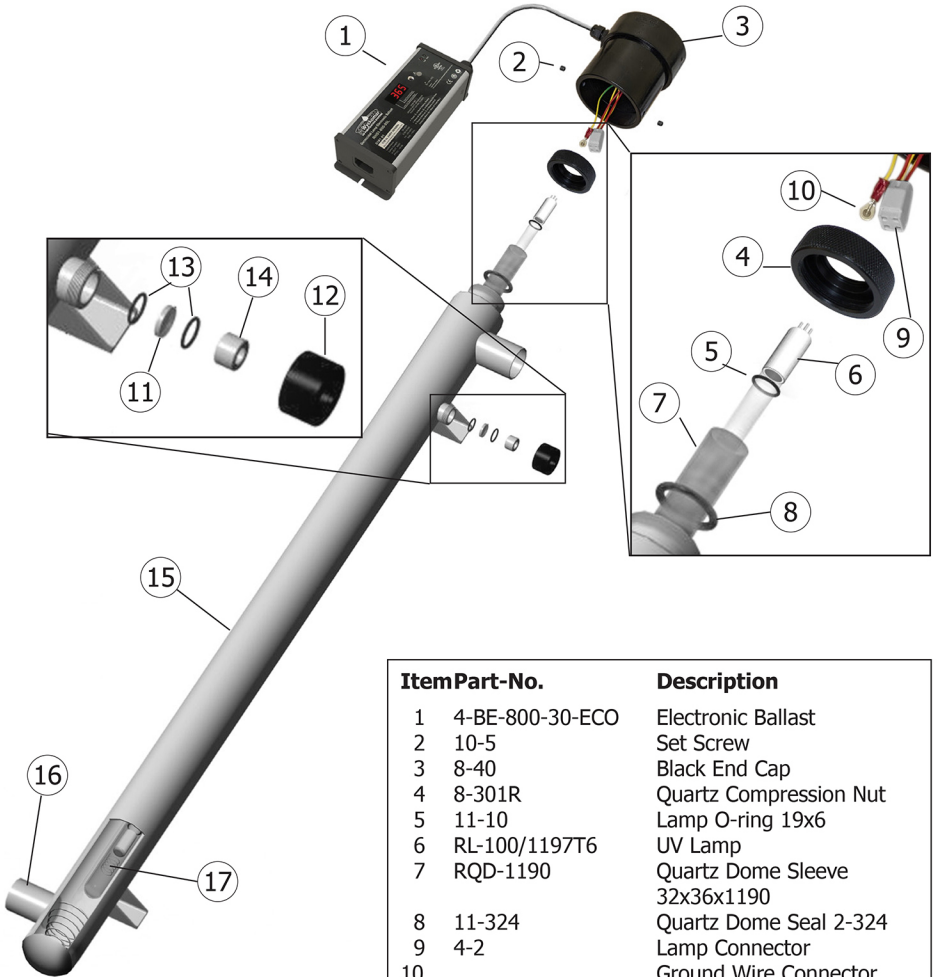


UV Purification Systems

UV-3000

Technical Info

Exploded Diagram & Parts List



Item	Part-No.	Description
1	4-BE-800-30-ECO	Electronic Ballast
2	10-5	Set Screw
3	8-40	Black End Cap
4	8-301R	Quartz Compression Nut
5	11-10	Lamp O-ring 19x6
6	RL-100/1197T6	UV Lamp
7	RQD-1190	Quartz Dome Sleeve 32x36x1190
8	11-324	Quartz Dome Seal 2-324
9	4-2	Lamp Connector
10		Ground Wire Connector
11	7-15GL	Glass Viewport Disc
12	8-9	Viewport Compression Nut
13	11-6	Glass Disc Seal 2-113
14	8-11	Viewport Inner Bushing
15	2-30	UV-3000 Reaction Chamber 1-1/2" MNPT / 40 mm BSP
16		Inlet/Outlet Ports
17	8-29-1	Lamp Extension Spring