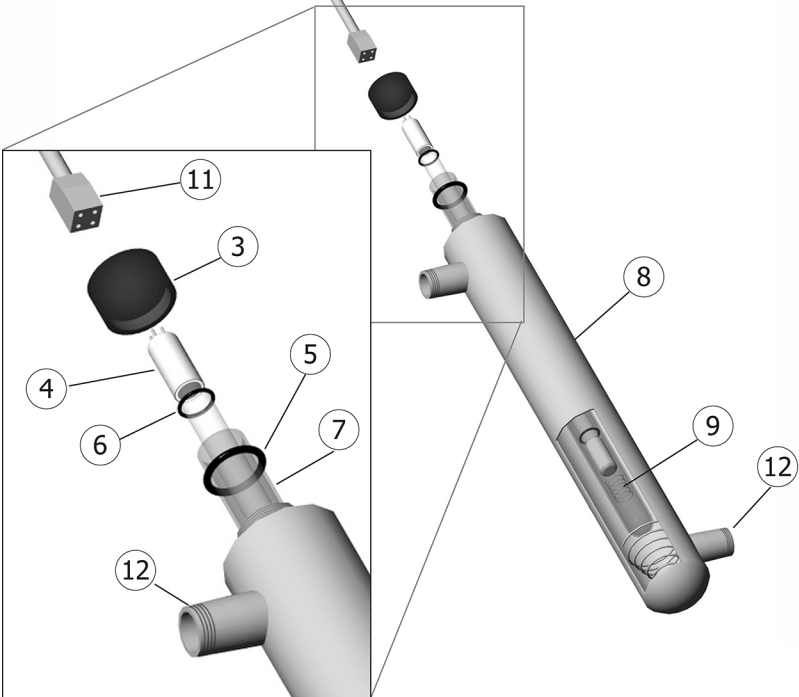
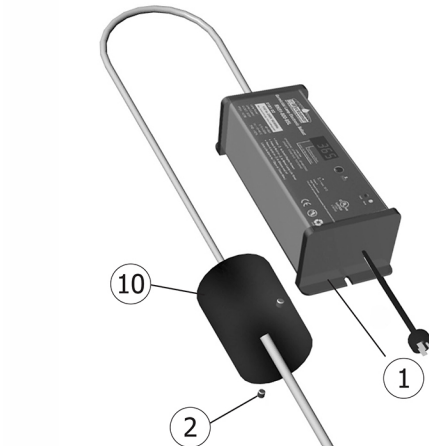


UV Purification Systems

UV-250

Technical Info

Exploded Diagram & Parts List



Item	Part-No.	Description
1	4-BE-425-ECO-R	Electronic Ballast
2	10-5	Set Screw
3	8-51	Quartz Compression Nut
4	RL-23/436T5	UV Lamp
5	11-3	Quartz Dome Seal 2-211
6	11-6	Lamp O-ring 2-113
7	RQD-438	Quartz Dome Sleeve
8	2-2	UV-1 Reaction Chamber
9	8-29-1	Lamp Extension Spring
10	8-4-1	Plastic Cap
11	4-2	Lamp Connector
12		3/4" MNPT In/Out Ports