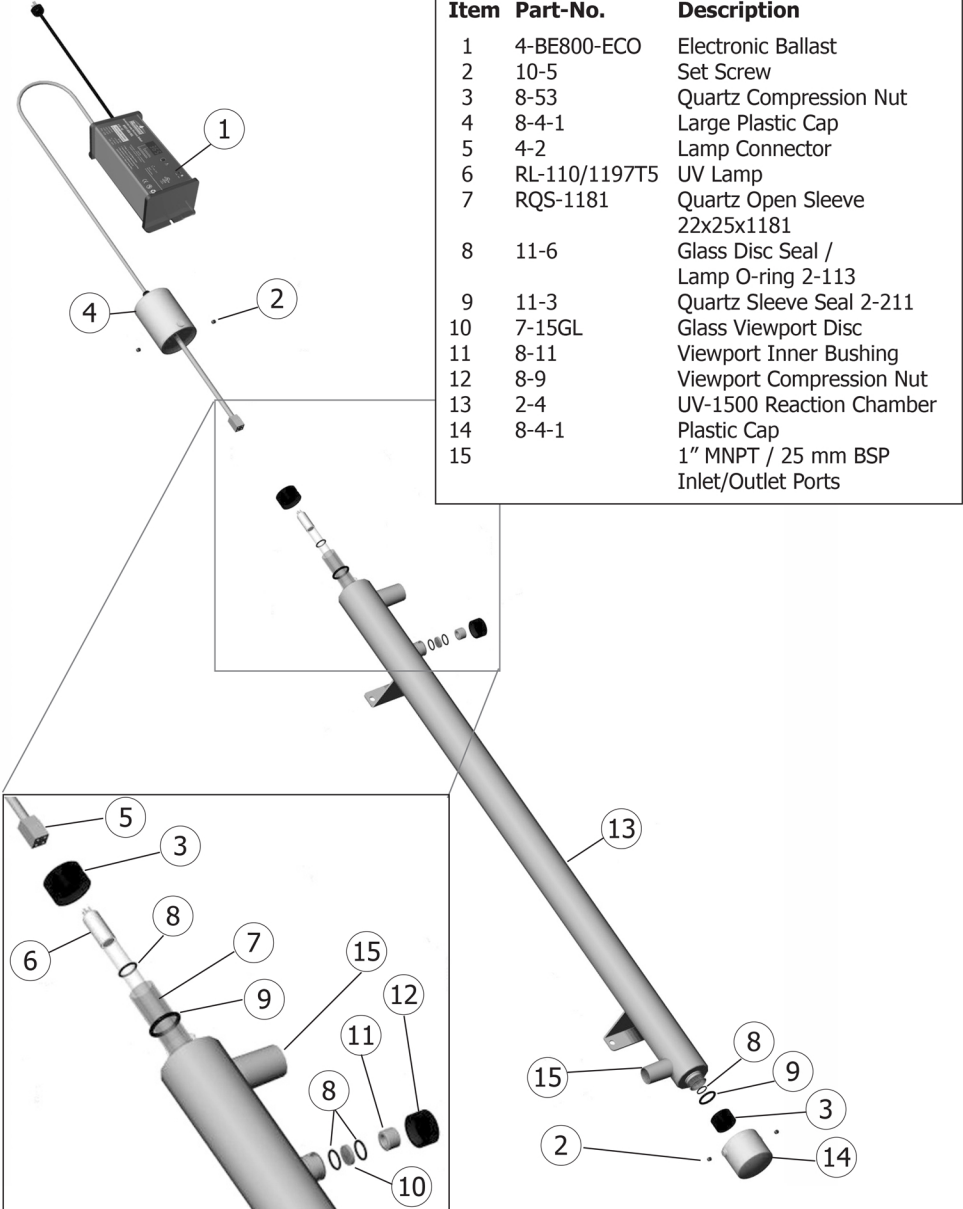


## UV Purification Systems

### UV-1500

Technical Info

### Exploded Diagram & Parts List



Item	Part-No.	Description
1	4-BE800-ECO	Electronic Ballast
2	10-5	Set Screw
3	8-53	Quartz Compression Nut
4	8-4-1	Large Plastic Cap
5	4-2	Lamp Connector
6	RL-110/1197T5	UV Lamp
7	RQS-1181	Quartz Open Sleeve 22x25x1181
8	11-6	Glass Disc Seal / Lamp O-ring 2-113
9	11-3	Quartz Sleeve Seal 2-211
10	7-15GL	Glass Viewport Disc
11	8-11	Viewport Inner Bushing
12	8-9	Viewport Compression Nut
13	2-4	UV-1500 Reaction Chamber
14	8-4-1	Plastic Cap
15		1" MNPT / 25 mm BSP Inlet/Outlet Ports