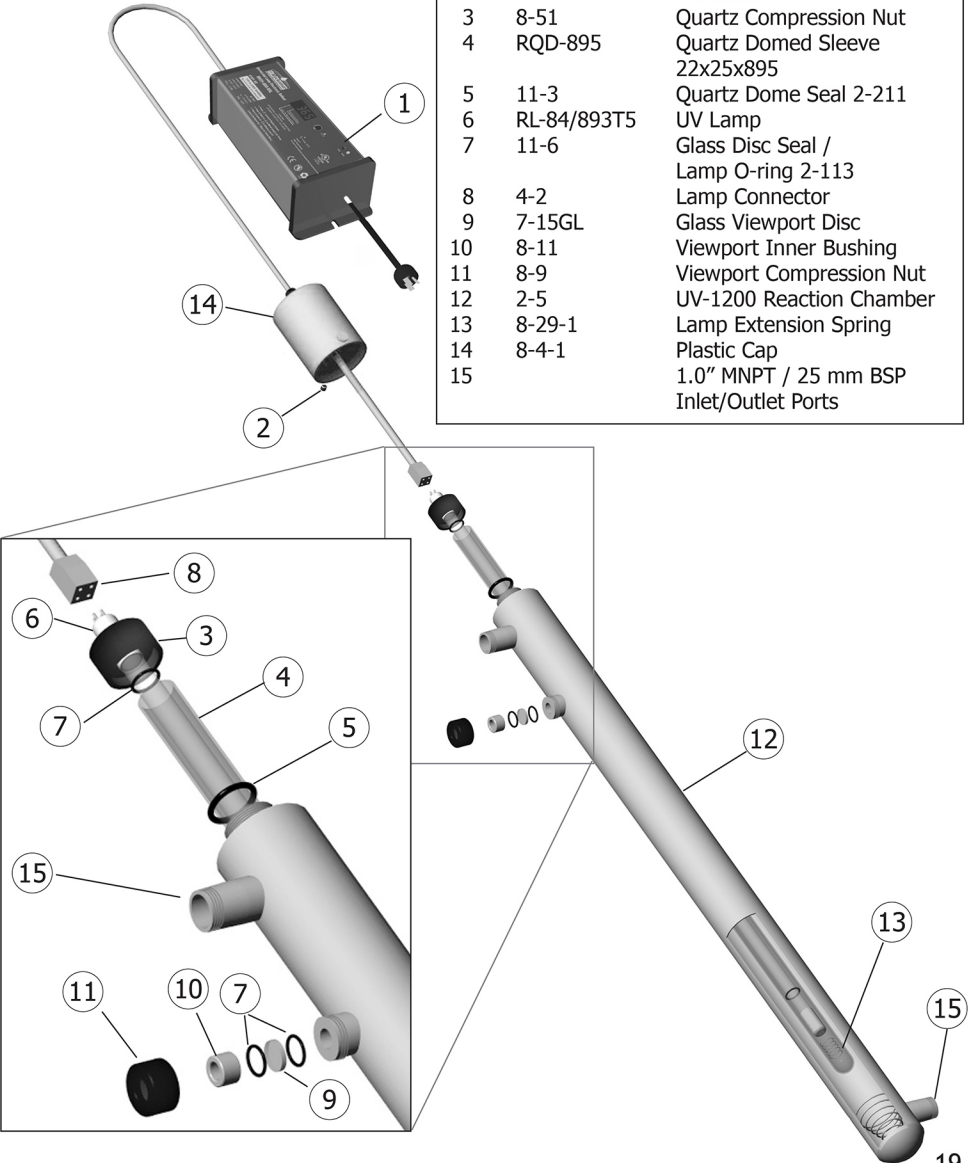


UV Purification Systems

UV-1200

Technical Info

Exploded Diagram & Parts List



Item	Part-No.	Description
1	4-BE800-ECO	Electronic Ballast
2	10-5	Set Screw
3	8-51	Quartz Compression Nut
4	RQD-895	Quartz Domed Sleeve 22x25x895
5	11-3	Quartz Dome Seal 2-211
6	RL-84/893T5	UV Lamp
7	11-6	Glass Disc Seal / Lamp O-ring 2-113
8	4-2	Lamp Connector
9	7-15GL	Glass Viewport Disc
10	8-11	Viewport Inner Bushing
11	8-9	Viewport Compression Nut
12	2-5	UV-1200 Reaction Chamber
13	8-29-1	Lamp Extension Spring
14	8-4-1	Plastic Cap
15		1.0" MNPT / 25 mm BSP Inlet/Outlet Ports